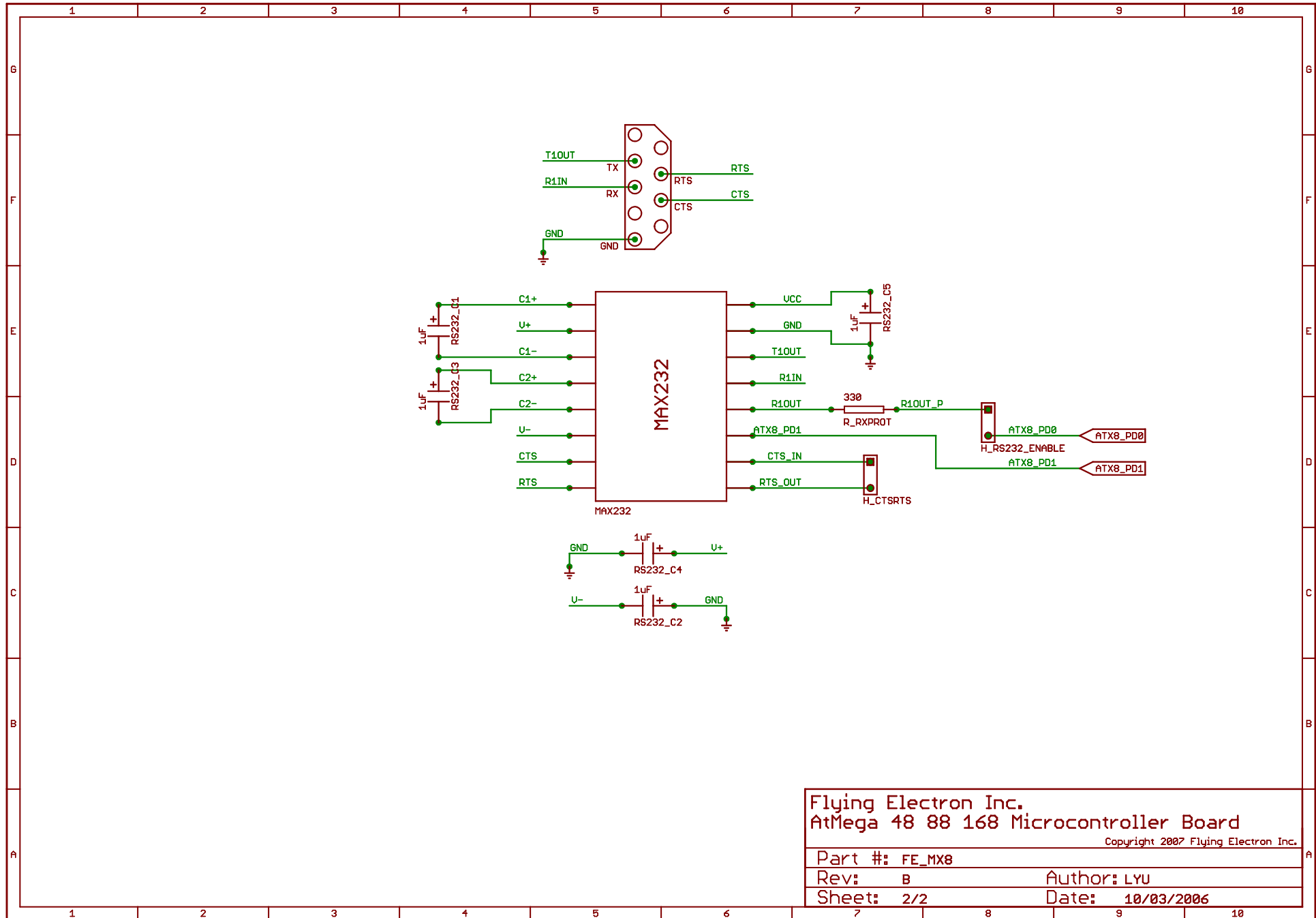


Flying Electron Inc.  
 AtMega 48 88 168 Microcontroller Board  
 Copyright 2007 Flying Electron Inc.

Part #:	FE_MX8
Rev:	B (1)
Author:	LYU
Sheet:	1/2
Date:	6/12/2007



Flying Electron Inc.  
 AtMega 48 88 168 Microcontroller Board  
 Copyright 2007 Flying Electron Inc.

Part #:	FE_MX8
Rev:	B
Author:	LYU
Sheet:	2/2
Date:	10/03/2006